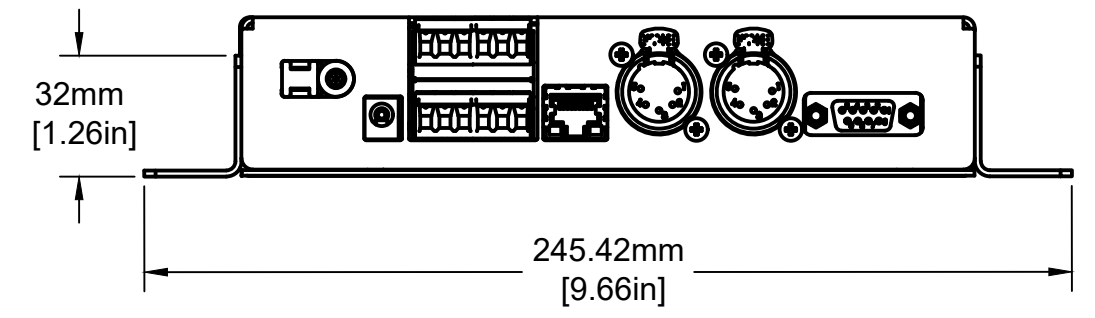
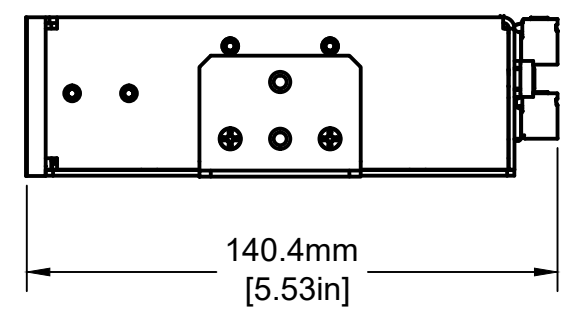
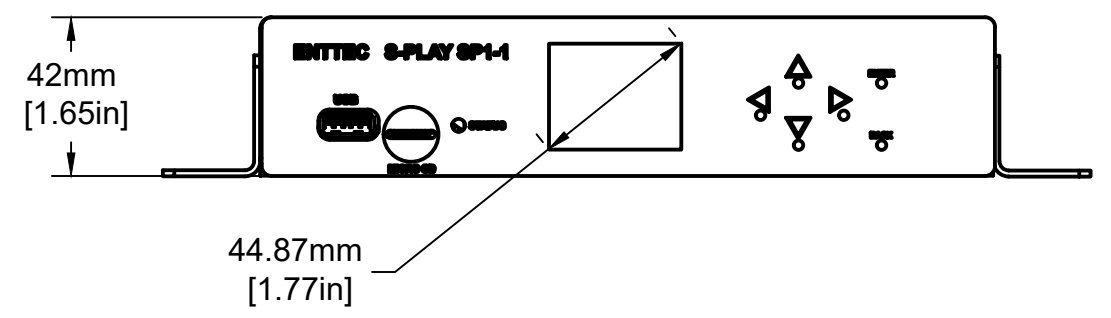
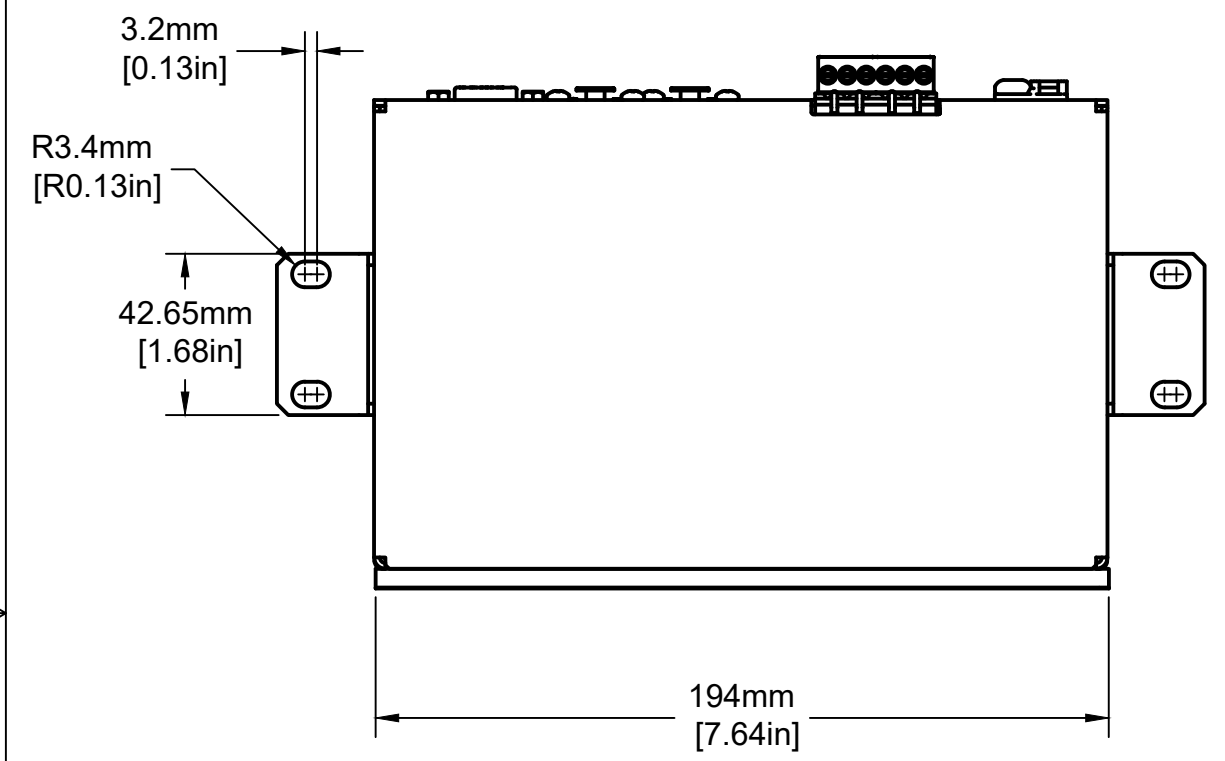
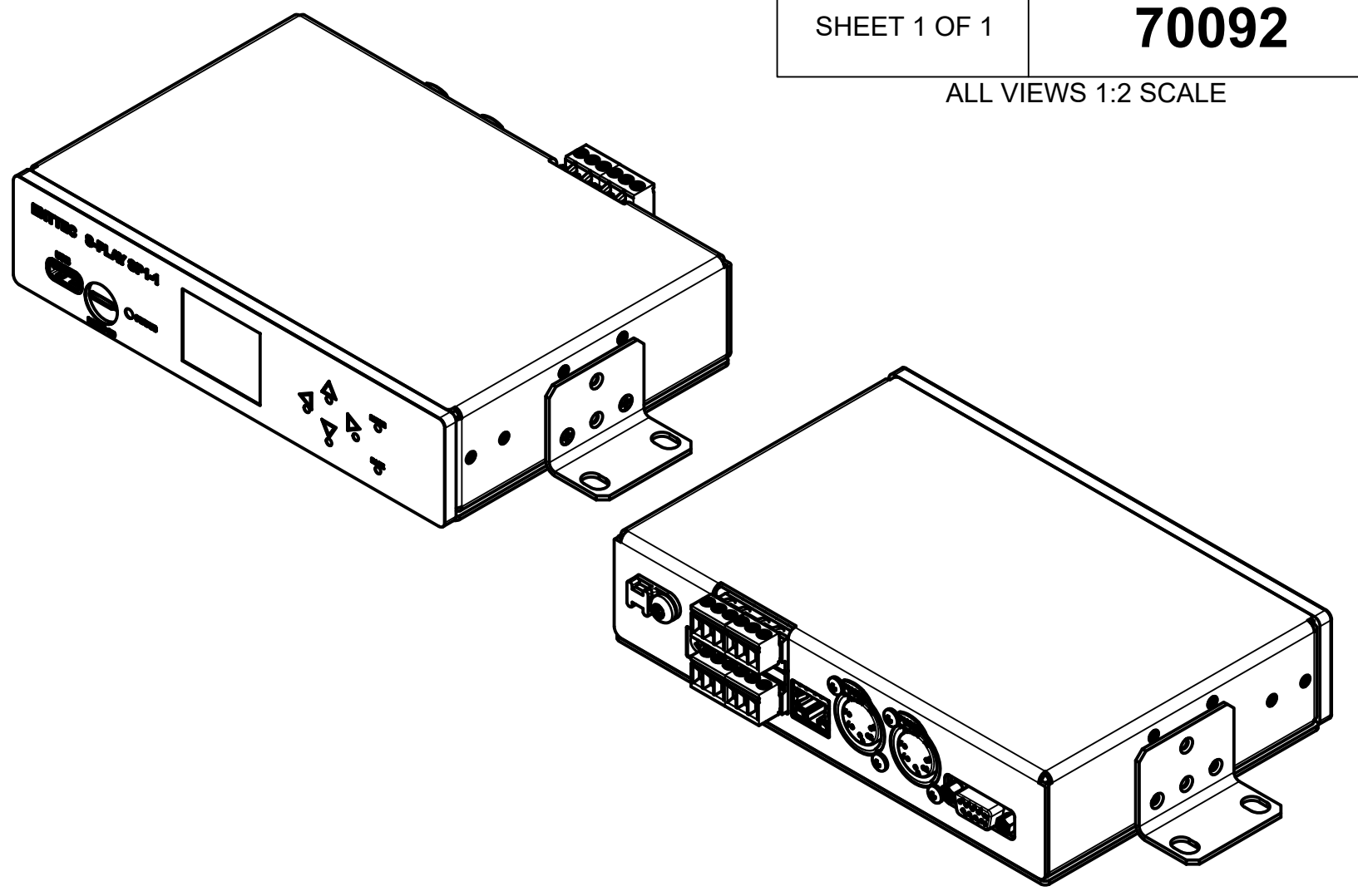


ALL VIEWS 1:2 SCALE



2	RELEASED FOR DOCUMENTATION	ROC	15-10-20					
ISSUE	REVISION	DCN / INITIAL	DATE	ISSUE	REVISION	DCN / INITIAL	DATE	

FINISH BLACK, POWDERCOATED TOLERANCES (UNLESS OTHERWISE SPECIFIED) 0.1 UP TO 6mm IS ±0.05 OVER 6 UP TO 30mm IS ±0.10 OVER 30MM UP TO 120mm IS ±0.25 OVER 120MM TO 400mm IS ±0.50 OVER 400mm IS ±1.00 ANGULAR IS ±1/2°		INITIAL	DATE	THIS DOCUMENT AND THE DESIGN IT CONTAINS IS EXCLUSIVELY THE PROPERTY OF ENTTEC AND IS THE SUBJECT OF COPYRIGHT DRAWN TO AS1100 ALL DIMENSIONS IN MILLIMETERS DO NOT SCALE - IF IN DOUBT ASK	ENTTEC enttec.com
	DRAWN	ROC	15-10-20		
	CHECKED	JW	15-10-20		
	SCALE	1:2			
TITLE			70092 - SPLAY USER FACING CAD		