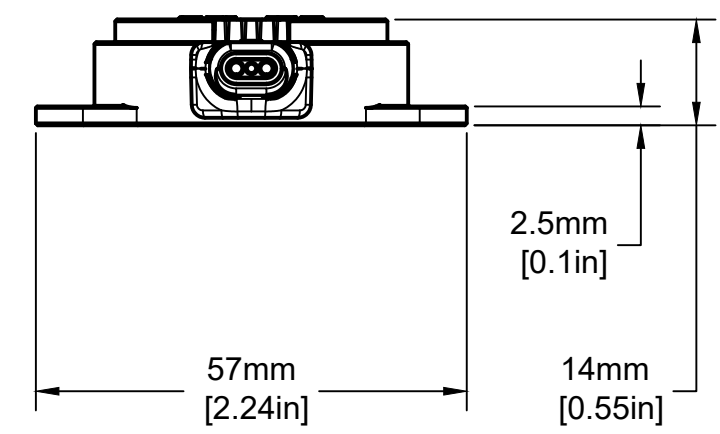
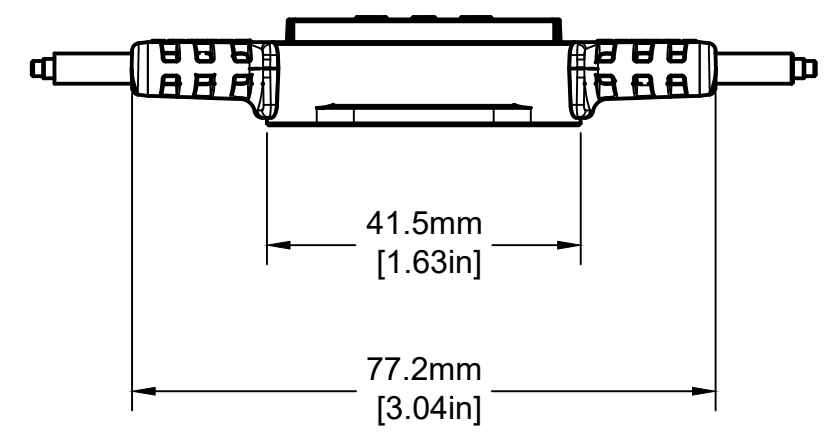
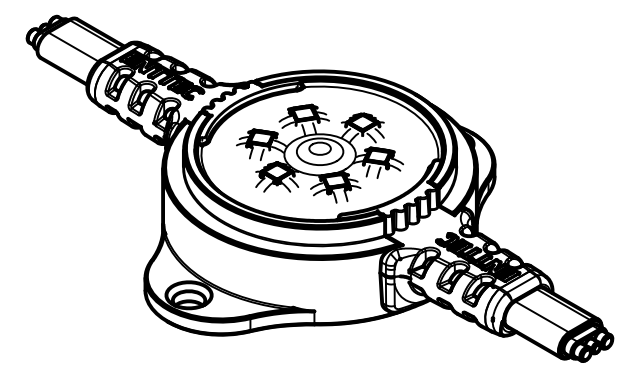
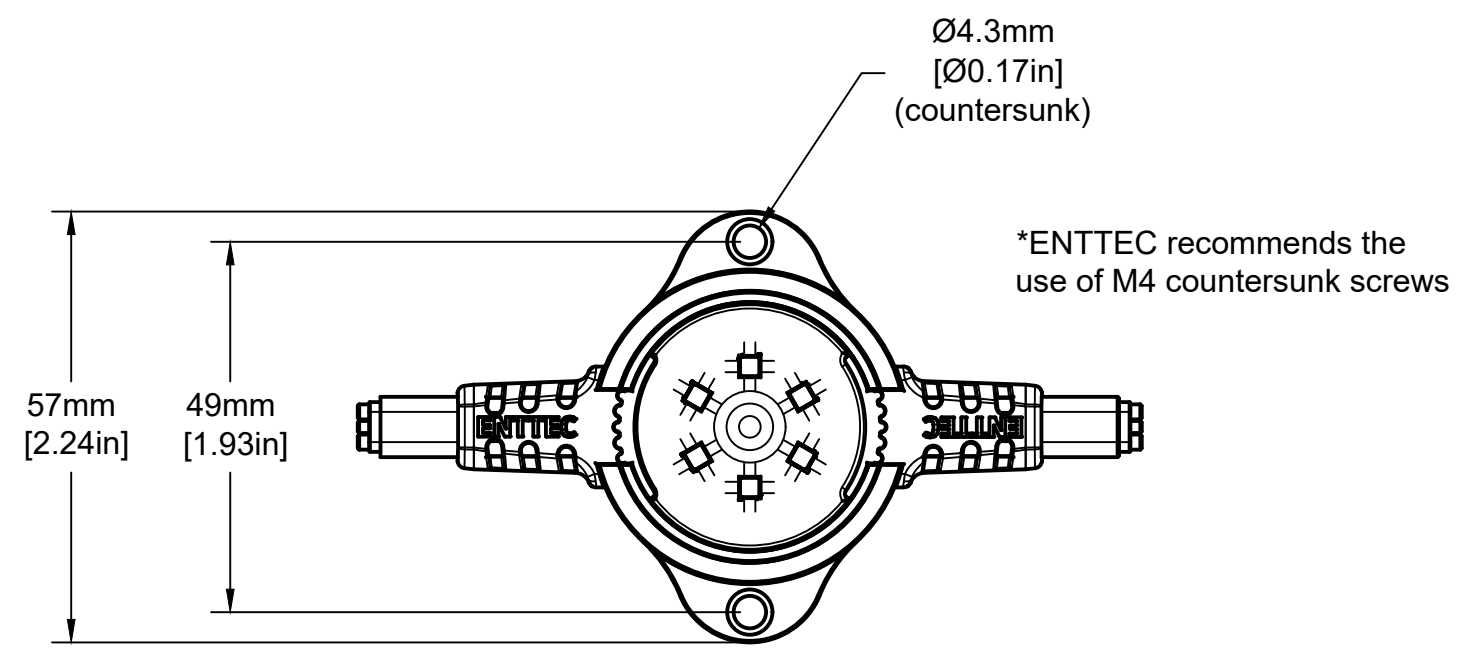


ISOMETRIC ACTUAL SIZE



| | | | | | | | | | | | | | | | | | |
|-------|--|----------|--|---|--|------|--|---------|--|----------|--|--|--|---|--|----------|--|
| | | | | FINISH | | | | INITIAL | | DATE | | THIS DOCUMENT AND THE DESIGN IT CONTAINS IS EXCLUSIVELY THE PROPERTY OF ENTTEC AND IS THE SUBJECT OF COPYRIGHT DRAWN TO AS1100 ALL DIMENSIONS IN MILLIMETERS DO NOT SCALE - IF IN DOUBT ASK | | ENTTEC enttec.com | | | |
| | | | | -- | | | | DRAWN | | ROC | | | | | | 29-09-20 | |
| | | | | TOLERANCES (UNLESS OTHERWISE SPECIFIED) 0.1 UP TO 6mm IS ± 0.05 OVER 6 UP TO 30mm IS ± 0.10 OVER 30MM UP TO 120mm IS ± 0.25 OVER 120MM TO 400mm IS ± 0.50 OVER 400mm IS ± 1.00 ANGULAR IS $\pm 1/2^\circ$ | | | | CHECKED | | JW | | | | | | 29-09-20 | |
| | | | | | | | | SCALE | | 1:1 | | | | | | | |
| 1 | | | | BASIC DIMENSIONS NO DIFFUSER | | | | ROC | | 29-09-20 | | | | | | | |
| ISSUE | | REVISION | | DCN / INITIAL | | DATE | | ISSUE | | REVISION | | DCN / INITIAL | | DATE | | | |
| | | | | | | | | | | | | TITLE | | 73010 - PXL-40 SMART PIXEL DOT BASIC DIMENSIONS | | A3 | |