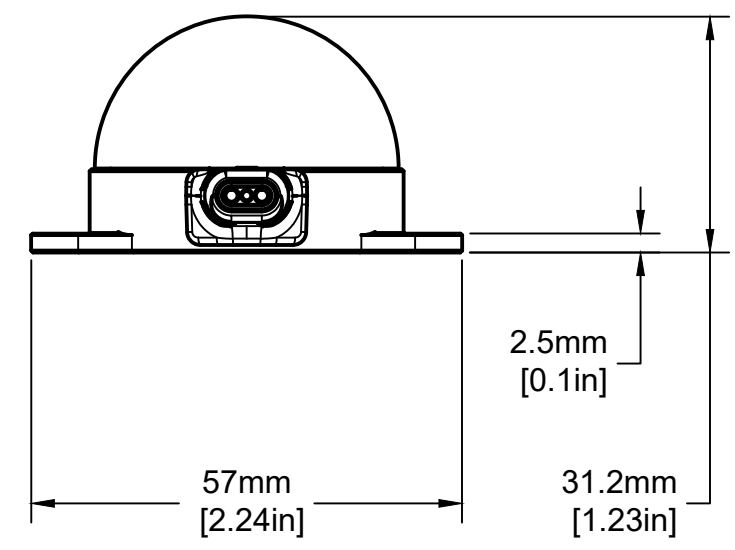
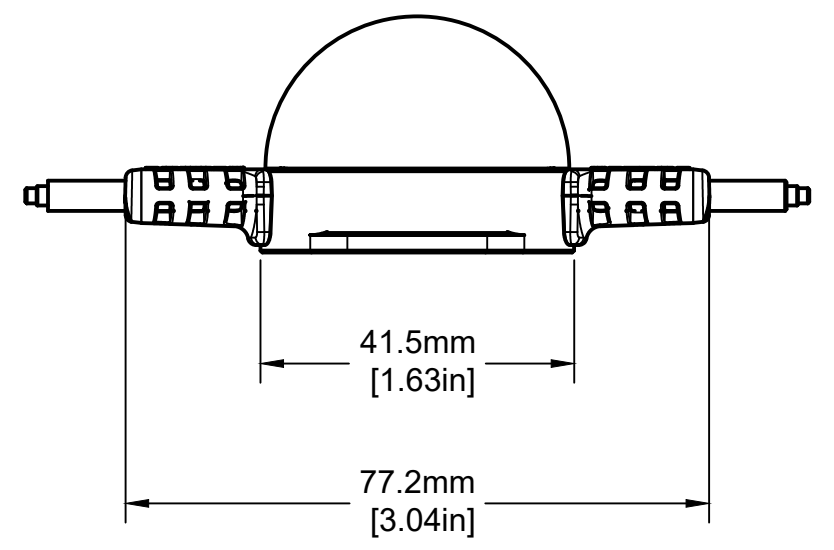
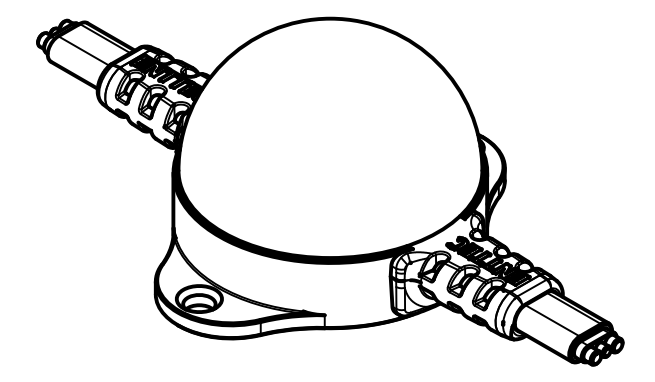
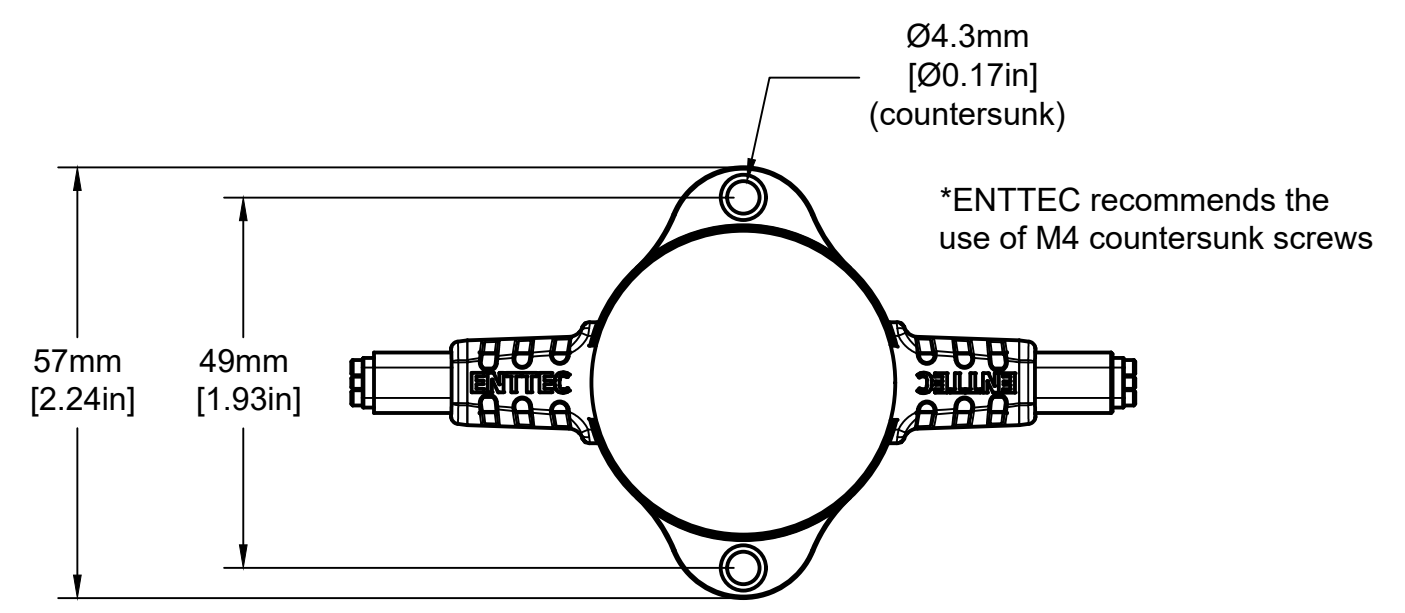


ISOMETRIC ACTUAL SIZE



				FINISH				INITIAL		DATE		THIS DOCUMENT AND THE DESIGN IT CONTAINS IS EXCLUSIVELY THE PROPERTY OF ENTTEC AND IS THE SUBJECT OF COPYRIGHT DRAWN TO AS1100 ALL DIMENSIONS IN MILLIMETERS DO NOT SCALE - IF IN DOUBT ASK	ENTTEC enttec.com		
				--				DRAWN		ROC				29-09-20	
				TOLERANCES (UNLESS OTHERWISE SPECIFIED) 0.1 UP TO 6mm IS ± 0.05 OVER 6 UP TO 30mm IS ± 0.10 OVER 30MM UP TO 120mm IS ± 0.25 OVER 120MM TO 400mm IS ± 0.50 OVER 400mm IS ± 1.00 ANGULAR IS $\pm 1/2^\circ$				CHECKED		JW				29-09-20	
								SCALE		1:1				TITLE	
1	BASIC DIMENSIONS DOME DIFFUSER	ROC	29-09-20					73011 - PXL40 SMART PIXEL DOT BASIC DIMENSIONS				A3			
ISSUE	REVISION	DCN / INITIAL	DATE	ISSUE	REVISION	DCN / INITIAL	DATE								