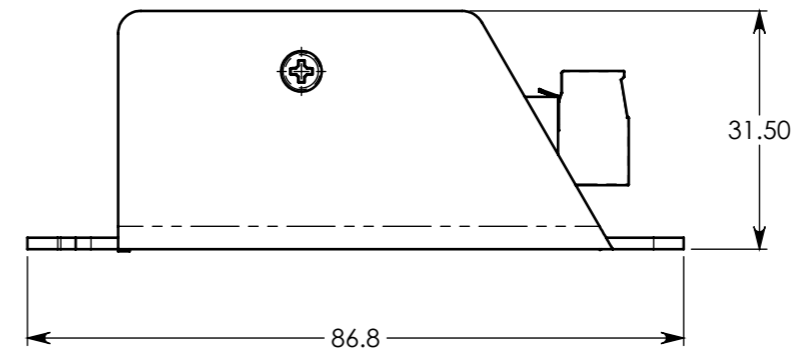
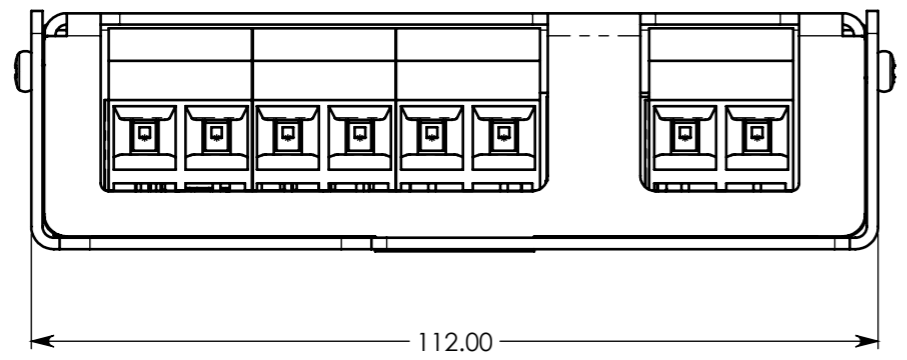
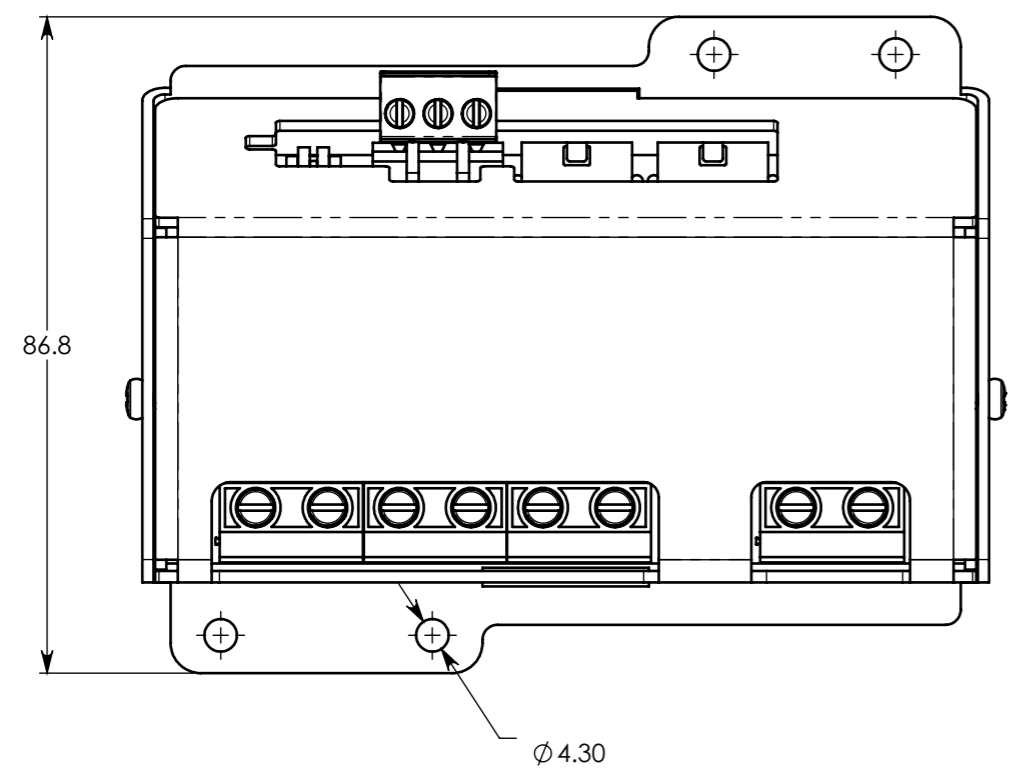


**ISOMETRIC  
ACTUAL SIZE**



ISSUE	REVISION	DCN / INITIAL	DATE	ISSUE	REVISION	DCN / INITIAL	DATE
1	RELEASED FOR PRODUCTION	JT	12/8/20				

FINISH  
--

**TOLERANCES**  
(UNLESS OTHERWISE SPECIFIED)  
0.1 UP TO 6mm IS ±0.05  
OVER 6 UP TO 30mm IS ±0.1  
OVER 30 UP TO 120mm IS ±0.25  
OVER 120 UP TO 400mm IS ±0.5  
OVER 400mm IS ±1  
ANGULAR IS ±1/2°

	INITIAL	DATE
DRAWN	JT	12.08.20
CHECKED	JW	12.08.20
SCALE	<b>1:1</b>	
TITLE	<b>CVC4,ASSEMBLY,BLACK POWDER COATED FINISH WITH ADHESIVE LABEL</b>	

THE DOCUMENT & THE DESIGN ON IT IS THE EXCLUSIVE PROPERTY OF ENTTEC & IS THE SUBJECT OF COPYRIGHT.

DRAWN TO AS1100 ALL DIMENSIONS IN MILLIMETERS  
DO NOT SCALE - IF IN DOUBT ASK

**ENTTEC**  
enttec.com

**A3**