

PIXELATOR



Features

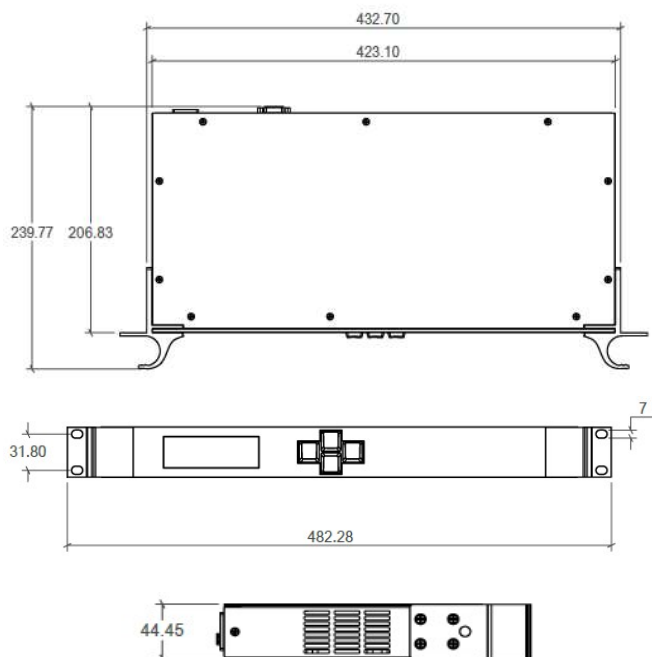
- 24 Pixel Link (RJ-45) ports (data output only to connect to Plinks injectors).
- Superfast Gigabit ethernet connection – delivers best performance.
- Dual core CPU, with a clock speed 2GHz – provides efficient and reliable output
- 1GB DDR3 RAM – allows best utilization of the system.
- Pixel Protocol is configurable for each Pixel Link port
- Pixel Grouping is configurable for each Pixel Link port (up-to 340)
- Pixel Ordering is configurable for each Pixel Link port (RGB and RGBW modes)
- Each Pixel Link can be assigned up to 2 Ethernet Universes. (allows 340 individual LEDs to be assigned from each port in RGB modes)
- Each port outputs at least 40 frames per second
- Supports following DMX over Ethernet protocols:
 - ESP
 - Art-Net
 - StreamingACN (sACN)
 - KiNet
- ArtSync support to ensure all outputs are in synchronization with each other.
- All configurations are made through web browser.

- Graphical User Interface for creating and editing ports is flow-chart oriented and documents data flow as you configure it.
- Clock module to sync multiple universes output
- DMX Generator and Stream snapshot (web).
- LCD display to provide status information on system and data flow
- Recommended to be used with ELM (industry award winning LED Mapper software)
- Each port outputs at 40 frames per second

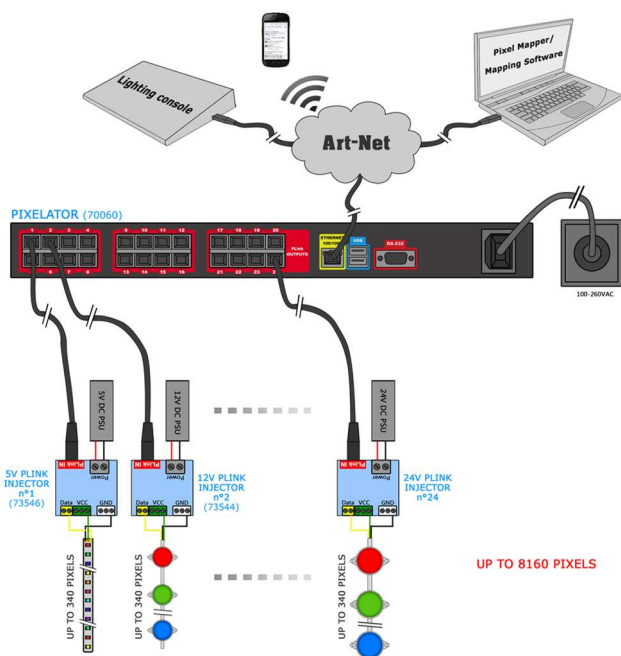
Safety

- This unit is intended for indoor use only
- Do not expose the unit to rain or moisture, doing this will void the warranty
- Do not remove the cover, there are no serviceable parts inside
- Do not block any ventilation apertures on this device.
- Ensure proper earth connections
- Always be sure to mount this unit in area that will allow proper ventilation. Allow about 6" (20cm) between this device and a wall.

Physical Dimensions



Wiring Diagrams



Ordering Information

PN	Description
70060	Pixelator

Specifications

Item	Value
Input Voltage	85-264V AC
Input Frequency	47-63Hz
Power Consumption	20W
Heat dissipation	19W
Unit Weight	3kg/6.7lbs
Shipped Weight	3.6kg/8lbs
Operating Environment Temperature	0 - 50° Celsius
Relative Humidity	5% - 95% non-condensing
Certification	CE, FCC certified
Connectors	24 x Plink Output Ports (RJ-45) 1 x Ethernet Connector 1 x DB9 / RS232 Connector (un-used) 2 x USB Host Connectors (un-used)

Recommended Products and Accessories

PN	Description
73546	Plink Injector 5V
73544	Plink Injector 12-24V

Due to continuous improvements and innovations of all ENTTEC products, specifications and features are subject to change without notice.

enttec.com

MELBOURNE AUS / LONDON UK / RALEIGH-DURHAM USA