

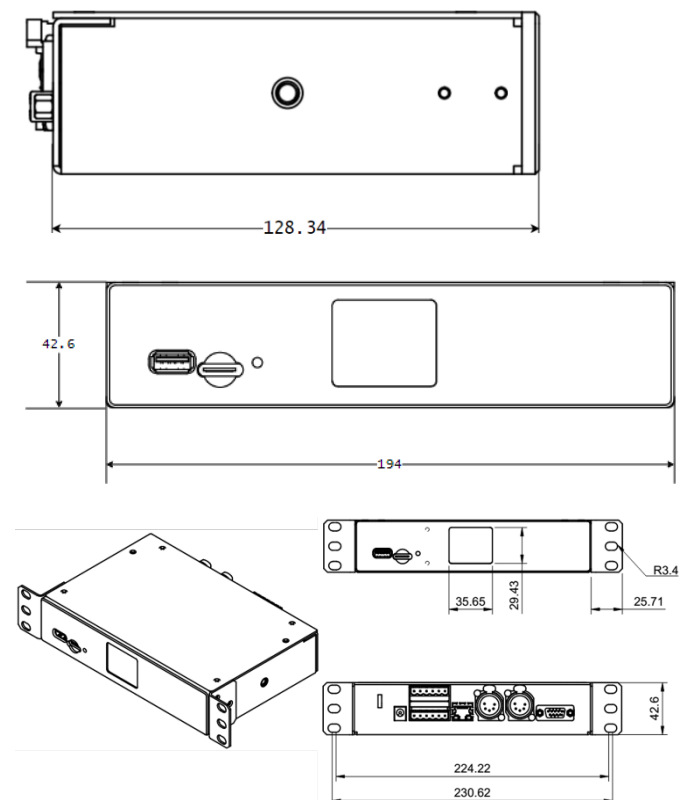
## S-PLAY



### Features

- In-built controls to record and play cues
- Internal memory supporting over 10 hours of 32 universe recording at 44FPS.
- Variable ArtNet/sACN refresh rate (60FPS max.)
- The ability to increase storage using an SD card: *ENTTEC recommends a minimum of a Class10 heavy duty SD card designed for video capture – (i.e. the Samsung Pro Endurance series) – The S-Play will reformat SD cards to EXT3 once plugged in.*
- Four digital inputs to trigger device from external sources
- Two relay outputs to control devices
- Monitor the DMX values for recording cues
- Create playlists from dynamic, static and internal effect cues
- Add events and triggers to playlists
- Two universe Physical DMX input or Output
- Up to 32 Universes of ArtNet and sACN
- Schedule playlists
- Set the DMX output protocol
- Remote trigger options: RS232, ArtNet, DMX, GPIO, sACN, OSC

### Physical Dimensions



## Connectivity Diagram

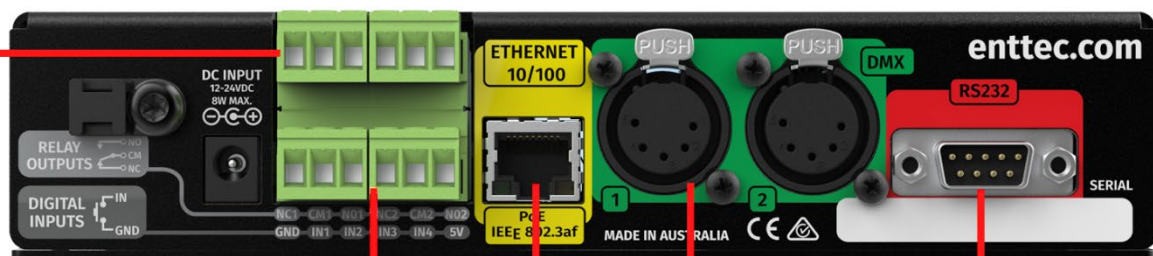
### USB

USE A USB DRIVE OR SD CARD TO BACKUP AND RESTORE FILES

SELECT BETWEEN INTERNAL AND EXTERNAL MEMORY – SD CARD

### USER INTERFACE

LCD SCREEN MENU AND NAVIGATION BUTTONS TO ACCESS PLAYLISTS AND CUES



### DIGITAL INPUT

FOUR DIGITAL INPUTS TO RECEIVE TRIGGERS FROM DEVICES LIKE SENSORS, PRESSURE PADS, SWITCHES, AMONG OTHERS

### RELAY

TWO RELAY OUTPUTS TO SEND TRIGGERS TO THIRD PARTY DEVICES

### ETHERNET

ARTNET, SACN SUPPORT  
OSC API

### DMX IN-OUT

RECORD, PLAYBACK AND TRIGGER VIA DMX

### RS232

USE RS232 COMPATIBLE DEVICES TO SEND AND RECEIVE TRIGGERS

### WEB INTERFACE

USE THE WEB INTERFACE TO CREATE PLALISTS, RECORD CUES AND ACCESS FULL FUNCTIONALITY OF THE UNIT

## Safety

- This unit is intended for indoor use only.
- Do not expose this device to rain or moisture, doing this will void the warranty.
- Make all the connections before you plug in the mains power
- Do not remove the cover, there are no user serviceable components inside.
- Never plug this unit in to a dimmer pack
- Ensure proper earth connections
- Always be sure to mount this unit in an area that will allow proper ventilation. Allow about 6" (20 cm) between this device and a wall.
- Power-supply cords should be routed so that they are not likely to be walked on or pinched by items placed upon or against them, pay particular attention to the point they enter and exit the unit.

## Ordering Information

SKU	Description
70092	S-Play

## Specifications

Item	Value
<b>Input Voltage</b>	12 V DC to 24 V DC
<b>Universes</b>	32U total: -2 Physical DMX Ports -Up to 32 ArtNet/sACN Universes
<b>Internal Storage Capacity</b>	8GB or higher
<b>PoE</b>	IEEE 802.3af
<b>Output Protocol</b>	DMX512/Art-Net/sACN
<b>Connectors</b>	1X DC Jack (Power) 2X Female XLR5 (DMX512) 1X RJ45 (Ethernet) 1X Male DB9 (RS232) 1X USB Type-A (Host) 4X Dry Inputs 2X Relay Outputs (max 50vDC / 60W) 1X Micro SD
<b>IP Rating</b>	IP 20
<b>Operating Temperature</b>	-10° to 50° C
<b>Relative Humidity</b>	0 – 95% (Non-Condensing)
<b>Cooling Method</b>	Convection
<b>Shipped Weight</b>	1.25 Kg / 2.76 lb
<b>Packaging Dimensions</b>	272 X 204 X 102 mm

Due to continuous improvements and innovations of all ENTTEC products, specifications and features are subject to change without notice.

# enttec.com

MELBOURNE AUS / LONDON UK / RALEIGH-DURHAM USA