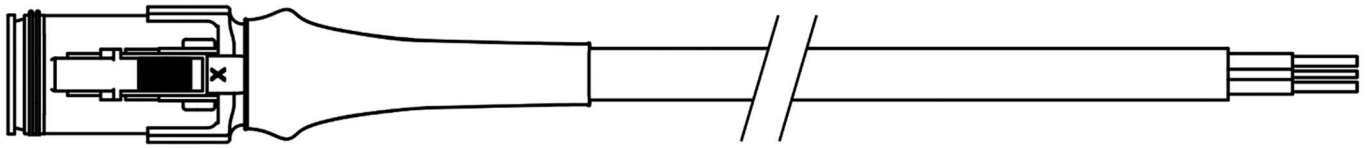


2m Female Cable

Smart PXL DOT accessory



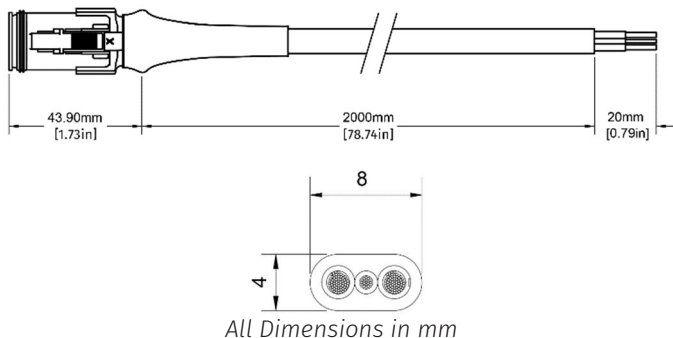
FEATURES

- **IP67 Female Amphenol AT Series connector with industrial grade heat shrink for added rigidity**
- **3 core bare end**
- **2-meter flat cable identical to ENTTEC's Smart PXL Dots**
- **Compatible with ENTTEC Smart PXL Dots**

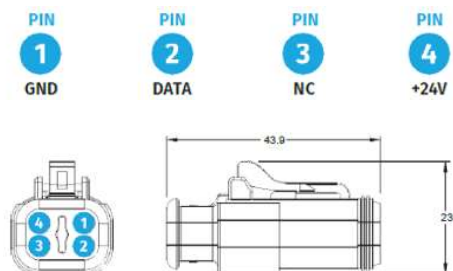
SPECIFICATIONS

Total Length	2.07m
Wire Gauge	16AWG V+ and V- 20AWG DATA
Conductor Material	Tinned Copper
Unit Weight	1.35kg

PHYSICAL DIMENSIONS



PIN OUTPUT CONFIGURATION

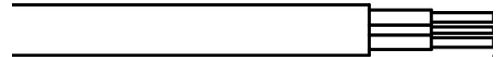


CORE IDENTIFICATION CHART

Each Smart PXL string or accessory is comprised of 3 cores, the pinout is as follows:

Identifier	Function	Pin on Amphenol AT Series Connector
Thick black core	V-	1
Thin black core	Data	2
Thick black core with white stripe	24V DC +	4

ENTTEC recommend the use of cable ferrules when connecting non-tinned cable.



ORDERING INFORMATION

Product	PN
2m Female Cable	73018

Visit www.enttec.com to browse compatible pixel products and control system components. For any sales requests, OEM enquiries or to give product feedback contact our team at sales@enttec.com.

enttec.com

MELBOURNE AUS / LONDON UK / RALEIGH-DURHAM USA

Due to constant innovation, information within this document is subject to change.