

# ENTTEC PLink (Pixel Link)

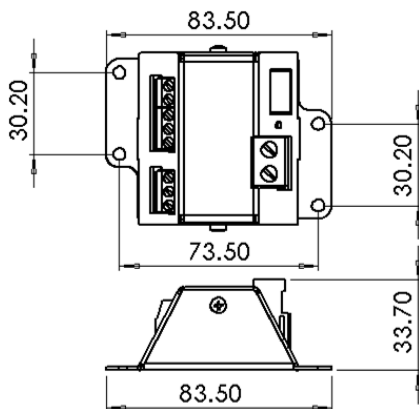
ADDRESSABLE LED PIXEL STRIPS/DOTS CONTROL SYSTEM



## Features

- Each PLink port can drive up to 340 RGB individual pixels (2 DMX universes)
- The PLink is designed for use with the Pixelator system.
- External DC power supply
- Data extensions up to 300 meters over Cat5/Cat5e/Cat6 cable
- Small, light and easy to hide design
- Scalable design for large projects
- Ideal for custom shape pixel LED installations
- High power screw terminal connectors
- Easy wiring using Cat5/Cat5e/Cat6 standard connections

## Mechanical



73546 & 73544

## Specifications

Item	Injector (5V)	Injector (12-24V)
Product Code	73546	73544
Input Voltage	5V DC	12-24V DC
Maximum Throughput Capacity	5V - 50 Watt	12V - 120 Watt 24V - 240 Watt
Maximum Power Consumption	3.5W	
Data Input Protocol	PLINK	
Data Output Protocol	Refer to the Pixelator/Pixelator Mini/ Din Pixelator Mini this device is connected to. <a href="https://www.enttec.com/support/supported-led-pixel-protocols">https://www.enttec.com/support/supported-led-pixel-protocols</a>	
Data Output Capability Per PLink Port	340 RGB Pixels	
Operating Temperature	-10° to 65° C	
Ingress Protection Rating	IP20 IP66 (Details contact sales office)	

## Safety

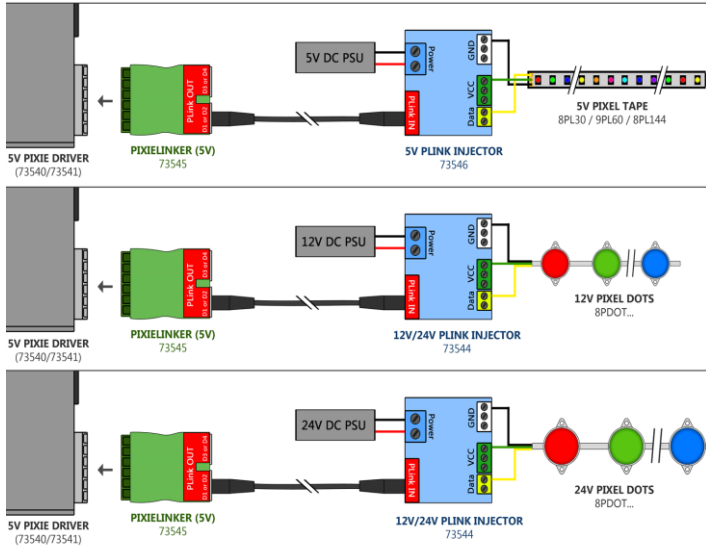
- Never plug PLink ports into Ethernet outlets.
- Do not remove covers, there are no user serviceable parts inside.
- Make all the connections before you plug in the mains power supply.
- If unsure always consult a trained professional.

## Notes:

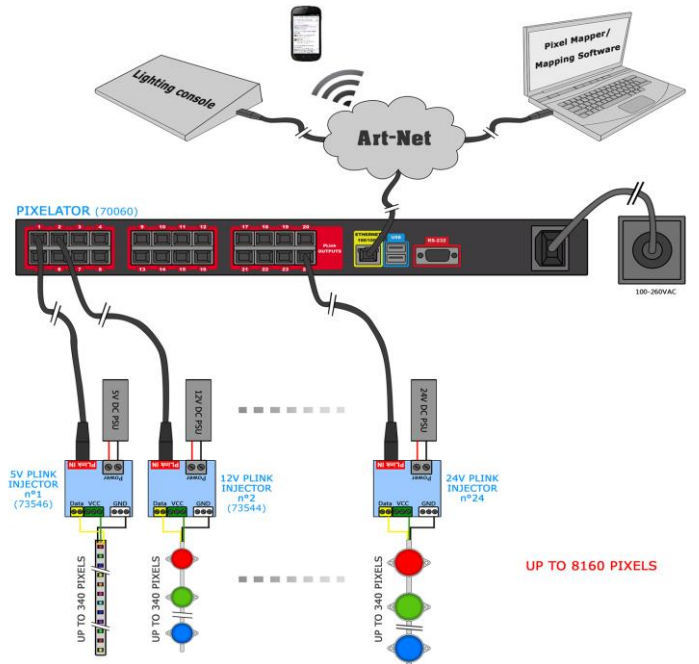
- The PLink system only works with CAT5/6 straight-through cables, do not use crossover cables.

# APPLICATION DIAGRAMS

## WITH PIXIE DRIVER



## WITH PIXELATOR



enttec.com

MELBOURNE AUS / LONDON UK / RALEIGH-DURHAM USA